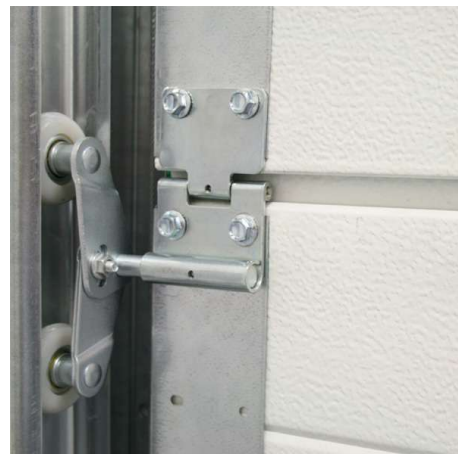
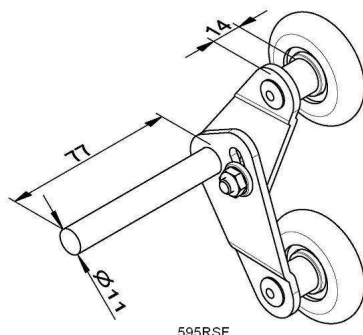


595RSF Roller

Images :



Description :

Roller
 tandem, nylon, 2", shaft 11mm
 springs in front (F)

- Full package quantity : 50
- Weight/unit : 0,33 kg
- Action : Replaces 595RES
- Material : Galvanised steel, nylon
- Marking : 595RSF FF
- Outside diameter : 2inch, 46,5 mm
- Application : Garage doors with springs in front.
- Function : New solution. Smart design. Panel adjustment can be achieved with this roller in combination with flat side hinges (424FZ etc.). Smooth running of the door.
- Dimensions (width, height, thickness) : Shaft 11mm, L=77 mm
- Units : piece (1)
- Usage : Residential
- Availability : FFEU
- Price : 1.95 euro
- Related : 595RSR - Roller

