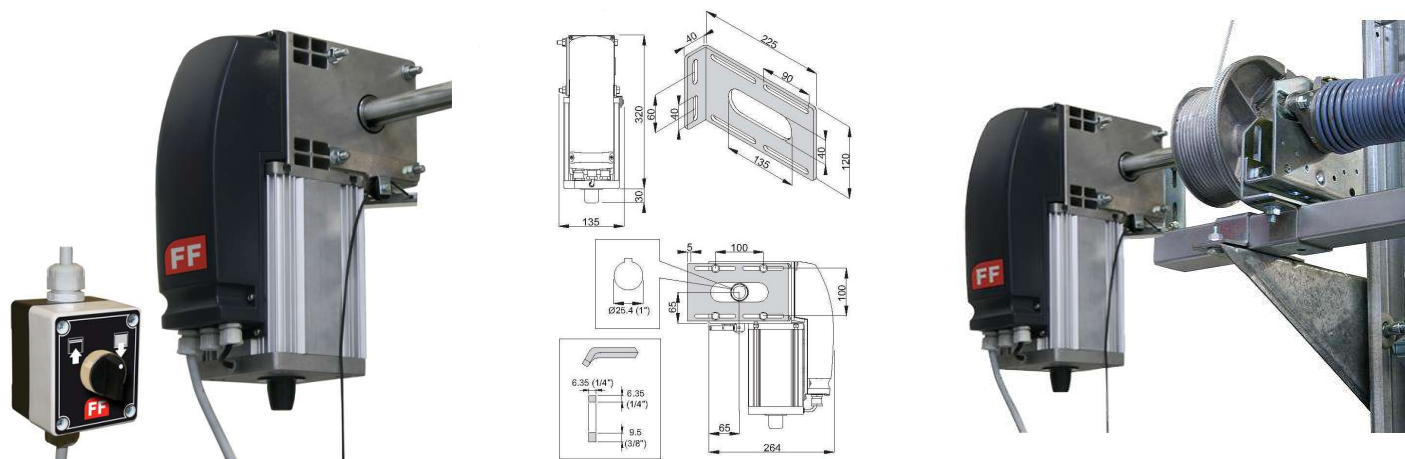


force60BS Operator

Images :



Description :

New!
 Operator
 60Nm, 230V, hold-to-run
 incl. control, brackets

- | | |
|---|--|
| - Full package quantity | : 1 |
| - Weight/unit | : 15 kg |
| - Marking | : FF |
| - Max. door weight | : 400 kg |
| - Inside diameter | : 1inch, 25,4 mm |
| - Application | : Industrial doors, dead-man, 400kg |
| - Function | : Powerful, hold-to-run control, mechanical limit switches, proven quality, easy installation and effective pricing. Nothing fancy, just opening and closing a door in the most simple way. force60BS is the ideal solution in many industrial projects. |
| - CE-safety | : x |
| - Dimensions (width, height, thickness) | : 264x135x320 mm |
| - Group code | : E |
| - Units | : piece (1) |
| - Usage | : Industrial |
| - Availability | : FFEU |
| - Price | : 399 euro |
| - Related | : Herkules2 - Motion detector
LM3800 - Operator |

