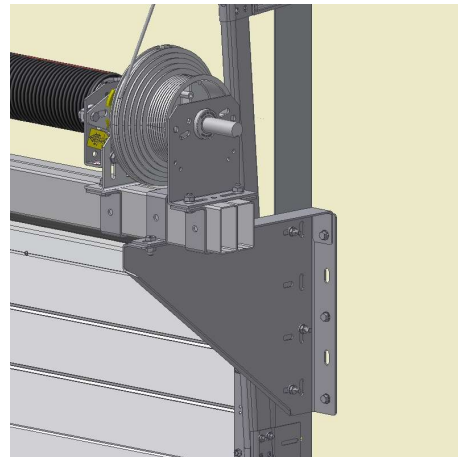
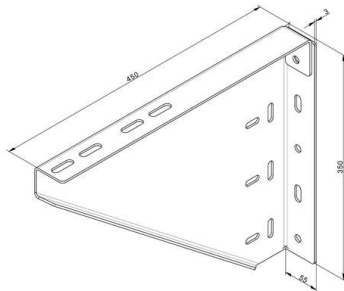


355L Triangular plate

Images :



RH



Description :

New!
 Triangular plate
 heavy, springs on beam 120K etc.
 left

- Full package quantity : 5
- Weight/unit : 3,37 kg
- Action : In stock! Replaces 355CONS
- Material : Galvanised steel
- Marking : 355L FF
- Application : Industrial doors with springs on beams.
- Function : To be fixed to the wall and to the vertical angle. Equipped with slotted hole pattern for use in combination with several box beam sizes (f.e. 80K and 120K) and its fixing material. Special brackets 35U80, 35U120 are available. Combine with pulley wheel assembly (IND554L/R) to build springs on beam
- Dimensions (width, height, thickness) : 450x350x55 mm
- Units : piece (1)
- Usage : Industrial
- Availability : FFEU
- Price : 12.74 euro
- Related : 120K-7000 - Box beam
 35U120 - Installation bracket - new!

