

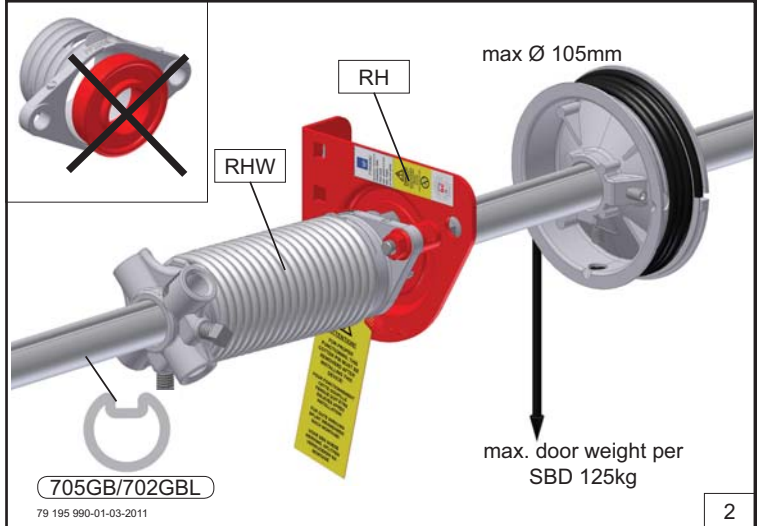
FF Manual
656/656C

Spring break device
Residential doors

INSTALLATION GUIDE

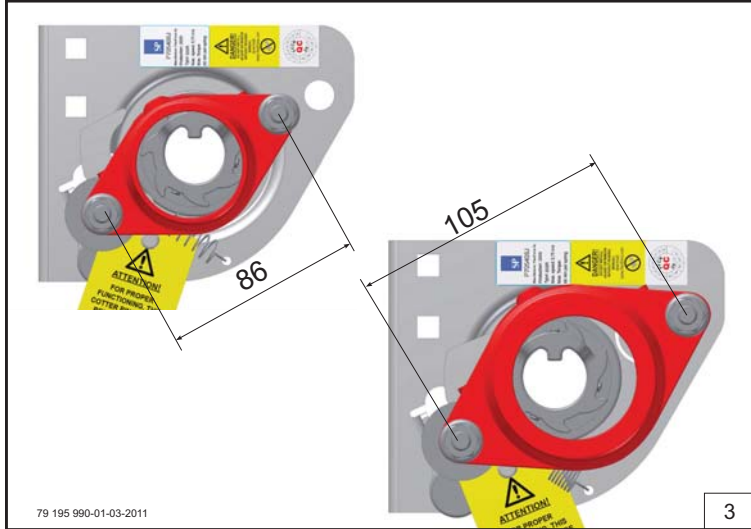
79 195 990-01-03-2011

1



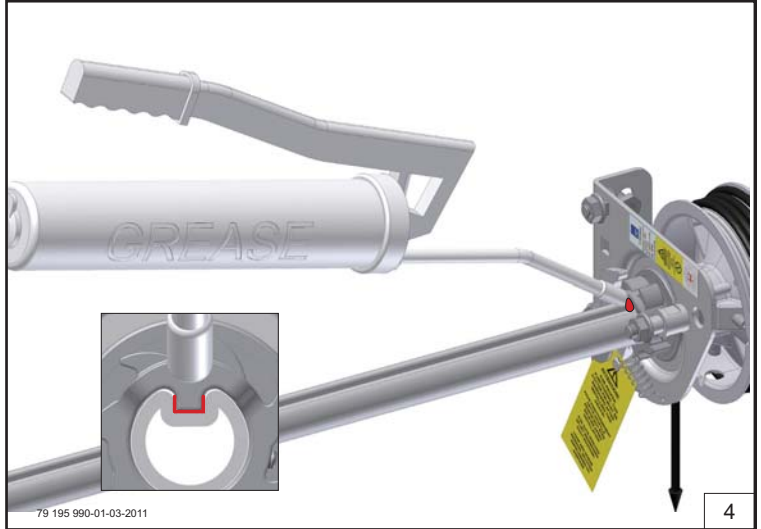
79 195 990-01-03-2011

2



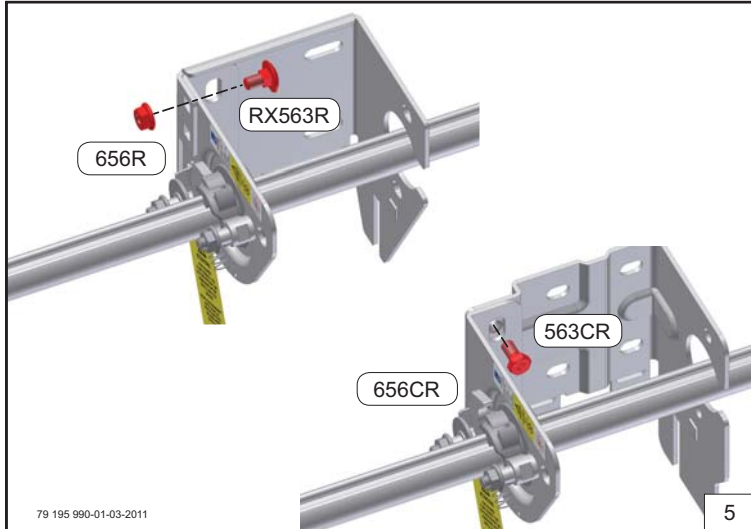
79 195 990-01-03-2011

3



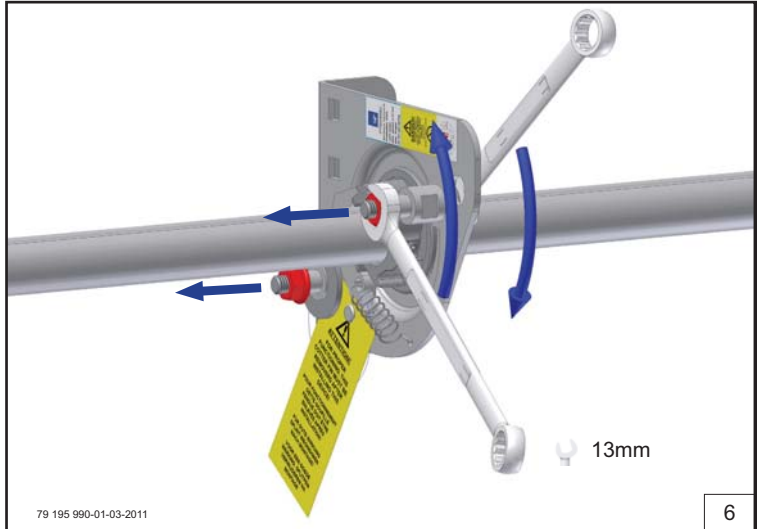
79 195 990-01-03-2011

4



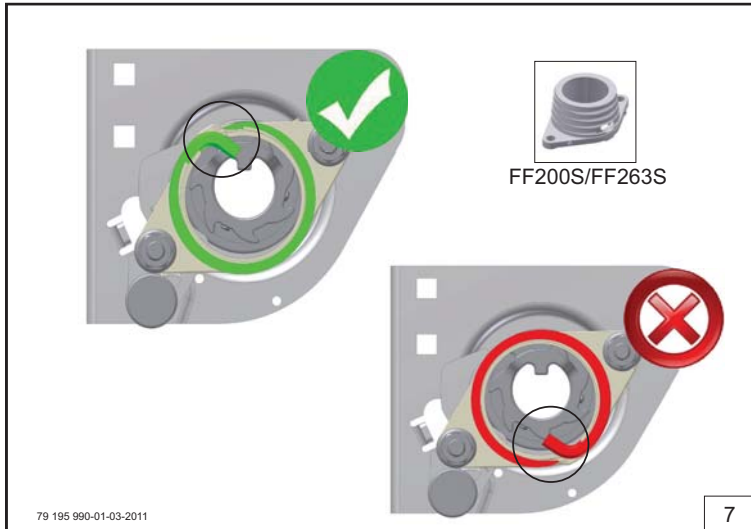
79 195 990-01-03-2011

5



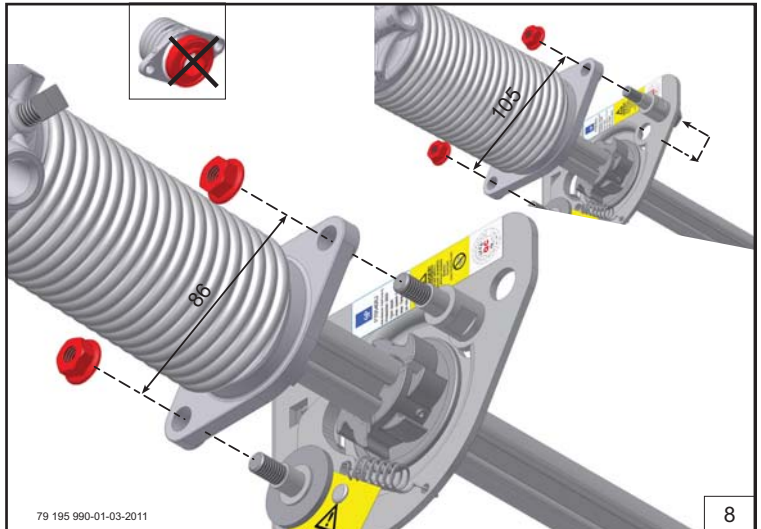
79 195 990-01-03-2011

6



79 195 990-01-03-2011

7



79 195 990-01-03-2011

8

